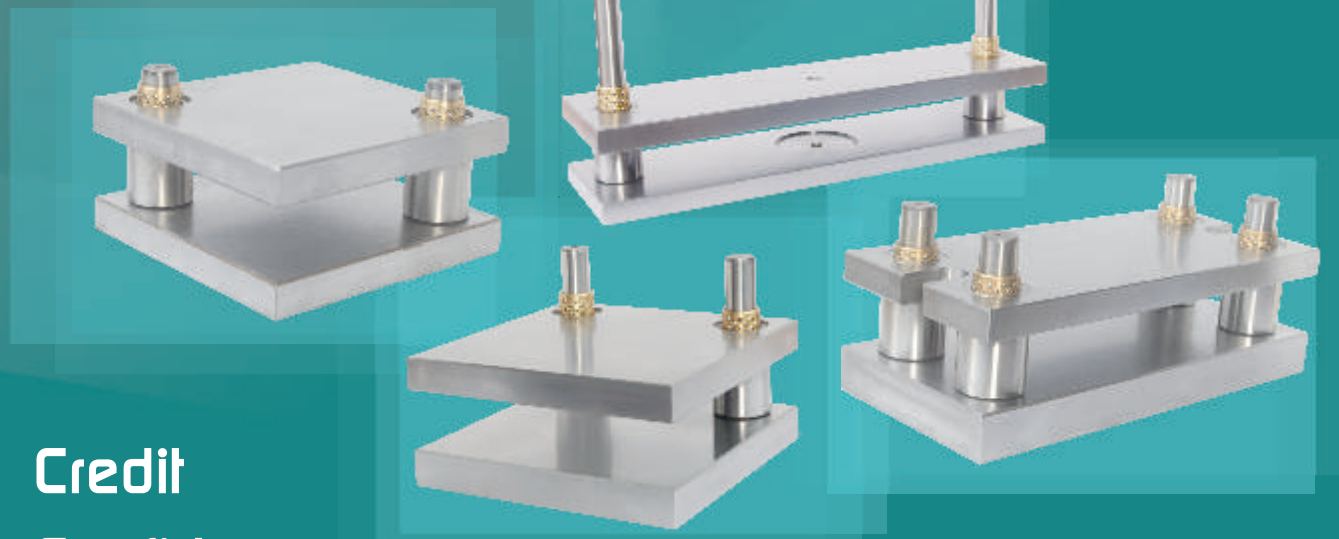




- Back Pillar Die Sets
- Centre Pillar Die Sets
- Diagonal Pillar Die Sets
- Four Pillar Die Sets
- Standard Pillar Die Sets
- Ball Bearing Cages
- Sleeve Bush
- Pillar Pins

***Born to
Conquer***



**Credit
Confidence
Satisfaction**

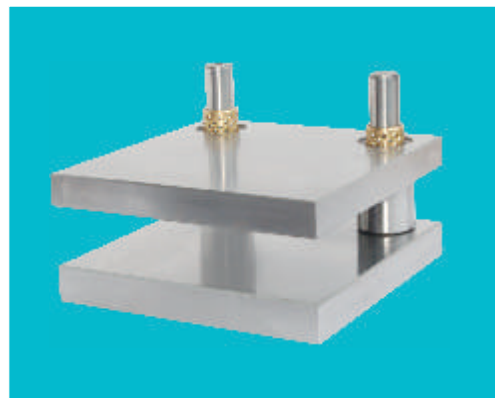
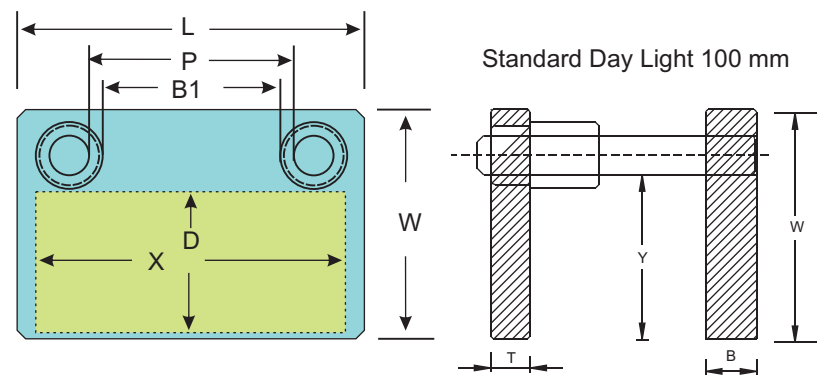
TECHNOfirm 9426407393

Madhura Engineering (I) Pvt. Ltd.

Near Dhanushdhari Mandir, Opp. S.R.P. Quarters, Saijpur, Ahmedabad - 382345 (Gujarat) INDIA
 Phone - 91-79-22842805, 91-79-22842987 Fax - 91-79-22822549
 E-Mail -madhuradie@dataone.in, info@madhuradie.com
 Web : www.madhuradie.com

Madhura

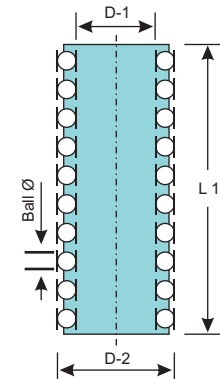
BACK PILLAR DIE SET



Pillar Bush												
No.	Ref. Code	X	D	B1	P	Y	W	L	T	B	OD	OD
1.	B 55	50	50	14	34	67	100	100	20	22	16	36
2.	B 88	80	80	49	69	97	135	145	20	25	20	40
3.	B1010	100	100	64	84	122	160	160	22	25	20	40
4.	B1310	130	100	68	89	114	160	180	25	30	25	46
5.	B1313	130	130	88	109	134	200	200	25	30	25	46
6.	B1510	150	100	98	119	124	170	210	25	30	25	46
7.	B1513	150	130	76	102	156	210	210	30	35	28	54
8.	B1515	150	150	76	102	176	230	210	30	35	28	54
9.	B1810	180	100	106	132	126	180	240	30	35	28	54
10.	B1813	180	130	106	132	156	210	240	30	35	28	54
11.	B1815	180	150	106	132	176	230	240	30	35	28	54
12.	B1818	180	180	106	132	206	260	240	30	35	28	54
13.	B2013	200	130	126	152	156	210	260	30	35	28	54
14.	B2015	200	150	126	152	176	230	260	30	35	28	54
15.	B2018	200	180	126	152	206	260	260	30	35	28	54
16.	B2020	200	200	124	148	224	280	260	30	35	32	56
17.	B2318	230	180	154	178	204	260	290	30	35	32	56
18.	B2323	230	230	154	178	254	310	290	30	35	32	56
19.	B2515	250	150	174	198	174	230	310	30	35	32	56
20.	B2518	250	180	174	198	204	260	310	30	35	32	56
21.	B2520	250	200	174	198	224	280	310	30	35	32	56
22.	B2525	250	250	174	198	274	330	310	35	40	32	56
23.	B3015	300	150	224	248	174	230	360	35	40	32	56
24.	B3020	300	200	224	248	224	280	360	35	40	32	56
25.	B3025	300	250	208	234	277	340	360	35	40	36	62
26.	B3030	300	300	218	244	327	390	370	35	40	36	62
27.	B3520	350	200	268	294	227	290	420	35	40	36	62
28.	B3530	350	300	265	290	335	400	420	40	45	40	65
29.	B3535	350	350	290	315	380	445	445	40	45	40	65
30.	B 4030	400	300	315	340	335	400	470	40	45	40	65

* Other Sizes are available on request.

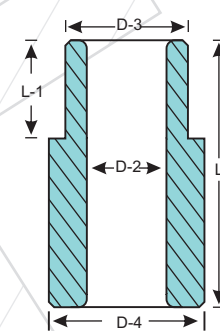
Ball Bearing Cages



Madhura Ball Bearings are recommended for use where Axial, Axial/Rotary & Rotary movements are required in case like Machine Tools, Press Tolls, Pillar Sets and Jigs & Fixtures.

Ball Bearig Cages Standerd Bearing Al./Brass					Ball Bearig Cages Non Standerd Bearing Al./Brass				
No.	I.D. X	O.D. X	Length X	Ball Ø	No.	I.D. X	O.D. X	Length X	Ball Ø
1.	20	26	65	3	1.	15	21	70	3
2.	25	31	70	3	2.	16	22	70	3
3.	28	36	80	4	3.	19	25	70	3
4.	32	40	80	4	4.	24	30	70	3
5.	32	40	95	4	5.	18	24	70	3
6.	36	44	90	4	6.	30	38	80	4
7.	40	48	90	4	7.	32	40	100	4
					8.	36	44	105	4
					9.	38	46	105, 125	4
					10.	40	48	105, 125	4
					11.	48	58	105, 125	5
					12.	50	60	105, 125	5
					13.	60	70	125	5

Sleeve Bush

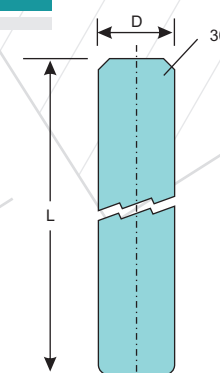
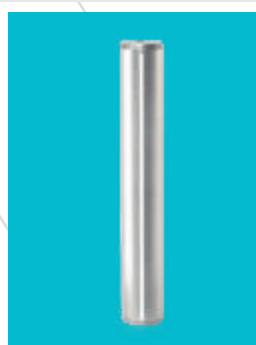


Madhura Bushes are ideally suited where longer stroke is used and longer guide length is necessary.

Sleeve Bush Standerd Bush						Sleeve Bush Non Standerd Bush				
No.	D-2 I.D.	D-3 O.D.	D-4 Stap O.D.	Length L-1	Length L	No.	D-2 I.D.	D-3 O.D.	D-4 Stap O.D.	Length L
1.	20	36	40	20	60	1.	21	32	36	60
2.	25	42	46	23	70	2.	22	32	36	60
3.	28	50	54	28	80	3.	25	36	40	70
4.	32	52	56	28	80	4.	30	42	46	70
5.	36	58	62	30	90	5.	38	50	54	80
6.	40	60	65	30	90	6.	46	60	65	90
7.	26	36	40	20	60	7.	30	44	50	110
8.	31	42	46	23	70	8.	25	38	42	90
9.	36	50	54	28	80	9.	15	32	36	60
10.	40	52	56	28	80	10.	16	32	36	60
11.	40	56	60	30	90	11.	31	42	46	110
12.	44	58	62	30	90	12.	36	50	54	110
13.	48	60	65	30	90	13.	20	36	-	75
14.							26	36	-	80
15.							33	42	46	90

* In Non Standard Size L1 as per requirement.

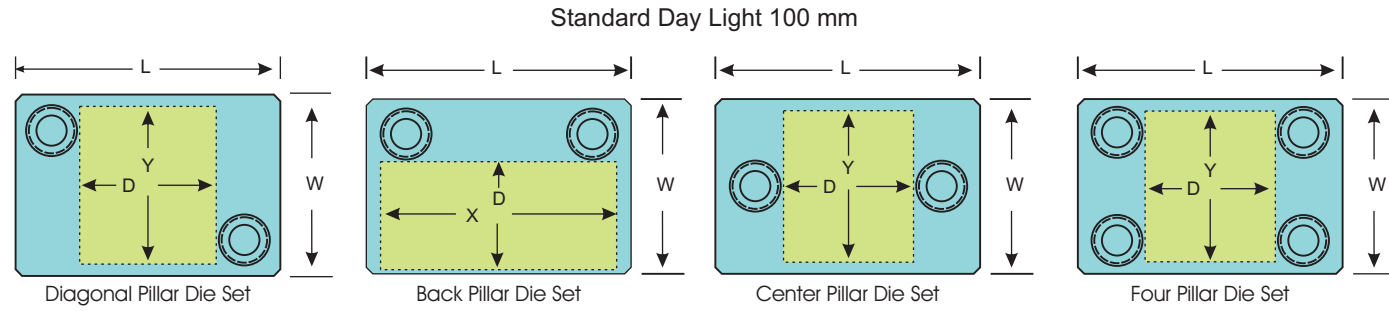
Pillar Pins



Standard Pillar			Non Standard Pillar		
No.	D	L - Lengths	No.	D	L - Lengths
1	20	125, 150	1	15	90, 100
2	25	140, 160, 180	2	16	90, 100
3	28	180, 200	3	19	125, 150
4	30	180, 190	4	20	100, 180
5	32	150, 180, 200, 230	5	24	140, 160, 180, 200, 225
6	36	170, 200, 250	6	25	200, 250, 300
7	40	200, 250	7	28	150, 225, 250, 300
			8	30	150, 200, 225, 250
			9	32	300, 250, 350
			10	36	225, 275, 300, 350
			11	40	225, 275, 300, 350, 400
			12	50	200, 225, 255, 270, 300, 350

Madhura Pillar Pins & Bushes are made from Alloy Steel and carefully heat-treated from HRC 58 to HRC 62. These are Precision ground to h4 tolerance and recommended N5 fit for bore.

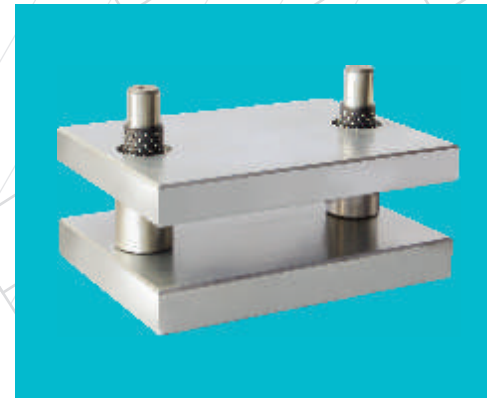
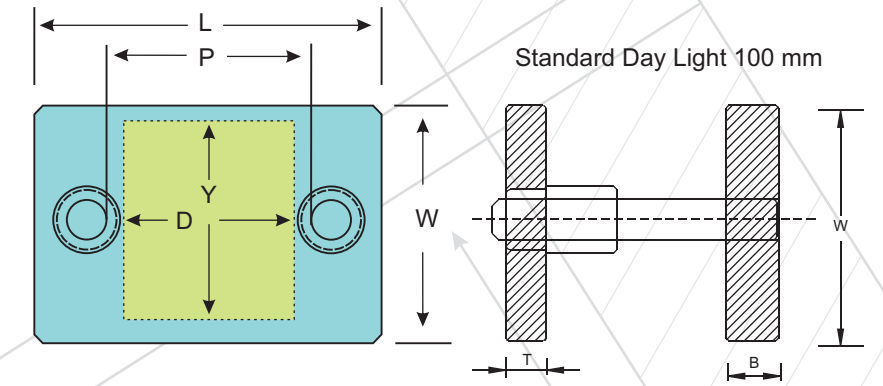
STANDARD PILLAR DIE SET



No.	X	D	Y	INCH SIZE	L	W	T	B	PILLAR		TYPE
									OD		
1.	60	52	-	04 X 04	100	100	20	22	16		BACK PILLAR
2.	100	52	-	04 X 06	150	100	20	22	20		BACK PILLAR
3.	150	52	-	04 X 08	200	100	25	30	20		BACK PILLAR
4.	100	75	-	05 X 05	130	130	20	25	20		BACK PILLAR
5.	95	100	-	05 X 06	125	150	22	25	20		BACK PILLAR
6.	120	100	-	06 X 06	150	150	22	25	20		BACK PILLAR
7.	120	120	-	06 X 07	150	180	25	30	25		BACK PILLAR
8.	-	140	130	06 X 09	230	150	20	20	20		BLISTER CEN
9.	-	170	100	06 X 12	305	150	30	35	28		CENT PILLAR
10.	150	120	-	07 X 07	180	180	25	30	25		BACK PILLAR
11.	150	145	-	07 X 08	180	200	25	30	25		BACK PILLAR
12.	160	135	-	08 X 08	200	205	30	35	28		BACK PILLAR
13.	160	160	-	08 X 09	200	230	30	35	28		BACK PILLAR
14.	160	180	-	08 X 10	205	254	30	35	28		BACK PILLAR
15.	-	160	170	08 X 12	200	305	30	35	32		CENT PILLAR
16.	-	180	170	08 X 13	200	330	30	35	32		CENT PILLAR
17.	200	160	-	09 X 09	230	230	30	35	28		BACK PILLAR
18.	200	180	-	09 X 10	230	250	30	35	28		BACK PILLAR
19.	200	185	-	10 X 10	254	254	30	35	28		BACK PILLAR
20.	-	120	200	10 X 10	254	254	30	35	28		DIAGO. PILLAR
21.	-	120	200	10 X 10	254	254	30	35	28		FOUR PILLAR
22.	200	210	-	10 X 11	254	280	30	35	32		BACK PILLAR
23.	200	235	-	10 X 12	254	305	30	35	32		BACK PILLAR
24.	-	230	200	10 X 15	254	380	35	40	32		CENT PILLAR
25.	230	210	-	11 X 11	280	280	30	35	32		BACK PILLAR
26.	255	235	-	12 X 12	305	305	30	35	32		BACK PILLAR
27.	-	165	255	12 X 12	305	305	30	35	32		DIAGO. PILLAR
28.	-	165	255	12 X 12	305	305	30	35	28		FOUR PILLAR
29.	255	260	-	12 X 13	305	330	30	35	32		BACK PILLAR
30.	280	255	-	13 X 13	330	330	35	40	36		BACK PILLAR
31.	300	275	-	14 X 14	355	355	35	40	36		BACK PILLAR
32.	-	210	290	14 X 14	355	355	35	40	36		DIAGO. PILLAR
33.	-	210	290	14 X 14	355	355	35	40	32		FOUR PILLAR

* Other Sizes are available on request.

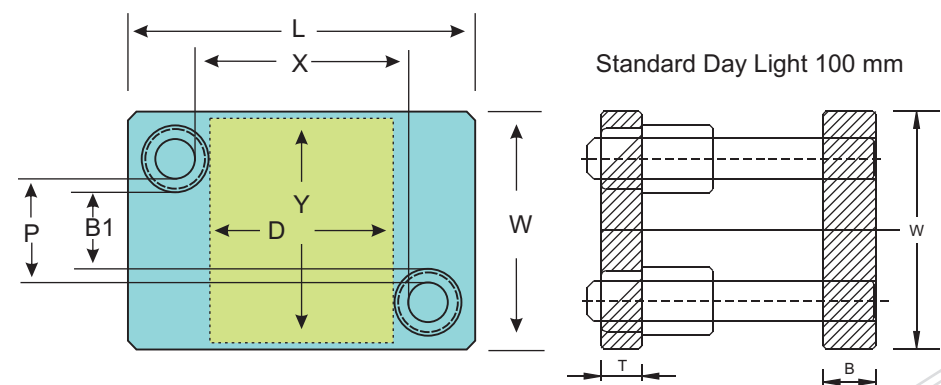
CENTER PILLAR DIE SET



No.	Ref. Code	P	D	Y	L	W	T	B	G	Pillar		Bush
										OD	OD	
1.	C 55	74	50	50	150	80	20	25	-	20	40	
2.	C 88	104	80	80	180	110	20	25	-	20	40	
3.	C 1010	124	100	100	200	130	25	30	-	20	40	
4.	C 1310	154	130	100	245	130	25	30	-	25	46	
5.	C 1313	154	130	130	245	160	25	30	-	25	46	
6.	C 1510	174	150	100	265	130	30	35	-	25	46	
7.	C 1513	174	150	130	265	160	30	35	-	25	46	
8.	C 1515	182	150	150	290	190	30	35	-	28	54	
9.	C 1810	212	180	100	320	140	30	35	-	28	54	
10.	C 1813	212	180	130	320	170	30	35	-	28	54	
11.	C 1815	212	180	150	320	190	30	35	-	28	54	
12.	C 1818	212	180	180	320	220	30	35	-	28	54	
13.	C 2013	227	200	130	335	170	30	35	-	28	54	
14.	C 2015	227	200	150	335	200	30	35	-	28	54	
15.	C 2018	227	200	180	335	230	30	35	-	28	54	
16.	C 2020	227	200	200	335	250	30	35	-	28	54	
17.	C 2318	258	230	180	370	230	35	40	-	32	56	
18.	C 2323	258	230	230	370	280	35	40	-	32	56	
19.	C 2515	282	250	150	390	200	35	40	-	32	56	
20.	C 2518	282	250	180	390	230	35	40	-	32	56	
21.	C 2520	278	250	200	390	250	35	40	-	32	56	
22.	C 2525	278	250	250	390	300	35	40	-	32	56	
23.	C 3015	334	300	150	460	200	35	40	-	36	62	
24.	C 3020	334	300	200	460	250	35	40	-	36	62	
25.	C 3025	334	300	250	460	300	35	40	-	36	62	
26.	C 3030	334	300	300	460	350	40	45	-	36	62	
27.	C 3520	384	350	200	510	250	40	45	-	36	62	
28.	C 3530	384	350	300	510	250	40	45	-	36	62	
29.	C 4025	440	400	250	570	300	40	45	-	40	65	
30.	C 4030	440	400	300	570	350	40	45	-	40	65	

* Other Sizes are available on request.

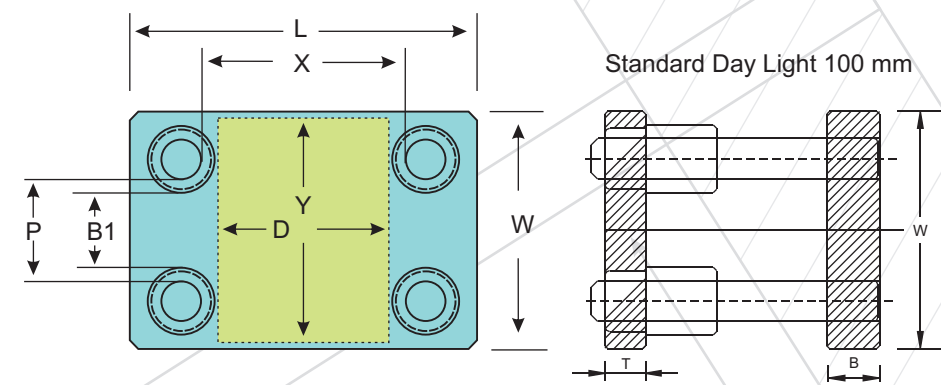
DIAGONAL PILLAR DIE SET



No.	Ref. Code	D	Y	B1	P	L	W	X	T	B	Pillar OD	Bush OD
1.	D 55	50	50	-	4	160	80	84	20	25	20	40
2.	D 88	80	80	14	34	200	110	124	22	25	20	40
3.	D1010	100	100	18	39	230	130	139	25	30	25	46
4.	D1310	130	100	18	39	260	130	169	25	30	25	46
5.	D1313	130	130	48	69	260	160	169	30	30	25	46
6.	D1510	150	100	-	22	290	130	182	30	35	28	54
7.	D1513	150	130	26	52	290	160	182	30	35	28	54
8.	D1515	150	150	46	72	290	180	182	30	35	28	54
9.	D1810	180	100	-	22	320	130	212	30	35	28	54
10.	D1813	180	130	26	52	320	160	212	30	35	28	54
11.	D1815	180	150	46	72	320	180	212	30	35	28	54
12.	D1818	180	180	76	102	320	210	212	30	35	28	54
13.	D2013	200	130	26	52	350	160	242	30	35	28	54
14.	D2015	200	150	46	72	350	180	242	30	35	28	54
15.	D2018	200	180	74	98	350	210	238	30	35	32	56
16.	D2020	200	200	94	118	350	230	238	30	35	32	56
17.	D2318	230	180	74	98	380	210	268	35	40	32	56
18.	D2323	230	230	124	148	380	260	268	35	40	32	56
19.	D2515	250	50	54	78	400	190	288	35	40	32	56
20.	D2518	250	180	84	108	400	220	288	35	40	32	56
21.	D2520	250	200	104	128	400	240	288	35	40	32	56
22.	D2525	250	250	154	178	400	290	288	35	40	32	56
23.	D3015	300	150	48	74	480	200	354	35	40	36	62
24.	D3020	300	200	98	124	480	250	354	40	45	36	62
25.	D3025	300	250	148	174	480	300	354	40	45	36	62
26.	D3030	300	300	198	224	480	350	354	40	45	36	62
27.	D3520	350	200	98	124	530	250	404	40	45	36	62
28.	D3525	350	250	145	170	530	300	400	40	45	40	65
29.	D4025	400	250	145	170	580	300	450	40	45	40	65
30.	D4030	400	300	195	220	580	350	450	40	45	40	65

* Other Sizes are available on request.

FOUR PILLAR DIE SET



No.	Ref. Code	D	Y	B1	P	L	W	X	T	B	Pillar OD	Bush OD
1.	F1515	150	150	68	89	280	180	189	25	30	25	46
2.	F1813	180	130	48	69	310	160	219	25	30	25	46
3.	F1818	180	180	98	119	310	210	219	25	30	25	46
4.	F2015	200	150	68	89	330	180	239	30	35	25	46
5.	F2020	200	200	118	139	330	230	239	30	35	25	46
6.	F2318	230	180	86	112	380	220	272	30	35	28	54
7.	F2323	230	230	136	162	380	270	272	30	35	28	54
8.	F2515	250	150	56	82	400	190	292	30	35	28	54
9.	F2520	250	200	106	132	400	240	292	35	40	28	54
10.	F2525	250	250	156	182	400	290	292	35	40	28	54
11.	F3020	300	200	106	132	460	240	352	35	40	28	54
12.	F3025	300	250	164	188	460	300	348	35	45	32	56
13.	F3520	350	200	114	138	510	250	398	35	45	32	56
14.	F3530	350	300	214	238	510	350	398	35	45	32	56
15.	F4020	400	200	114	138	560	250	448	35	45	32	56
16.	F4025	400	250	164	188	560	300	448	35	45	32	56
17.	F4030	400	300	214	238	560	350	448	35	45	32	56
18.	F4520	450	200	114	138	610	250	498	35	45	32	56
19.	F4525	450	250	164	188	610	300	498	35	45	32	56
20.	F4530	450	300	198	224	630	350	504	40	50	36	62
21.	F4535	450	350	248	274	630	400	504	40	50	36	62
22.	F5025	500	250	148	174	680	300	554	40	50	36	62
23.	F5030	500	300	198	224	680	350	554	40	50	36	62
24.	F5035	500	350	248	274	680	400	554	40	50	36	62
25.	F5040	500	400	295	320	680	450	550	45	55	40	65
26.	F5530	550	300	195	220	730	350	600	45	55	40	65
27.	F5540	550	400	295	320	730	450	600	45	55	40	65
28.	F6030	600	300	195	220	780	350	650	45	55	40	65
29.	F6040	600	400	295	320	780	350	650	45	55	40	65
30.	F7040	700	400	295	320	880	450	750	50	60	40	65

* Other Sizes are available on request.

